

Exhaust Head Series "Cyclone"



Cyclonic Action

- Spins out entrained water, oil and dirt leaving only clean, dry exhaust.

Noise Reduction

- Large exhaust opening reduces velocity and minimizes exhaust noise and does not produce back pressure.

Line Protection

- Cyclone exhaust head "Spiral Baffle" protects exhaust line from entry of rain, snow and dirt directing them to the drain.

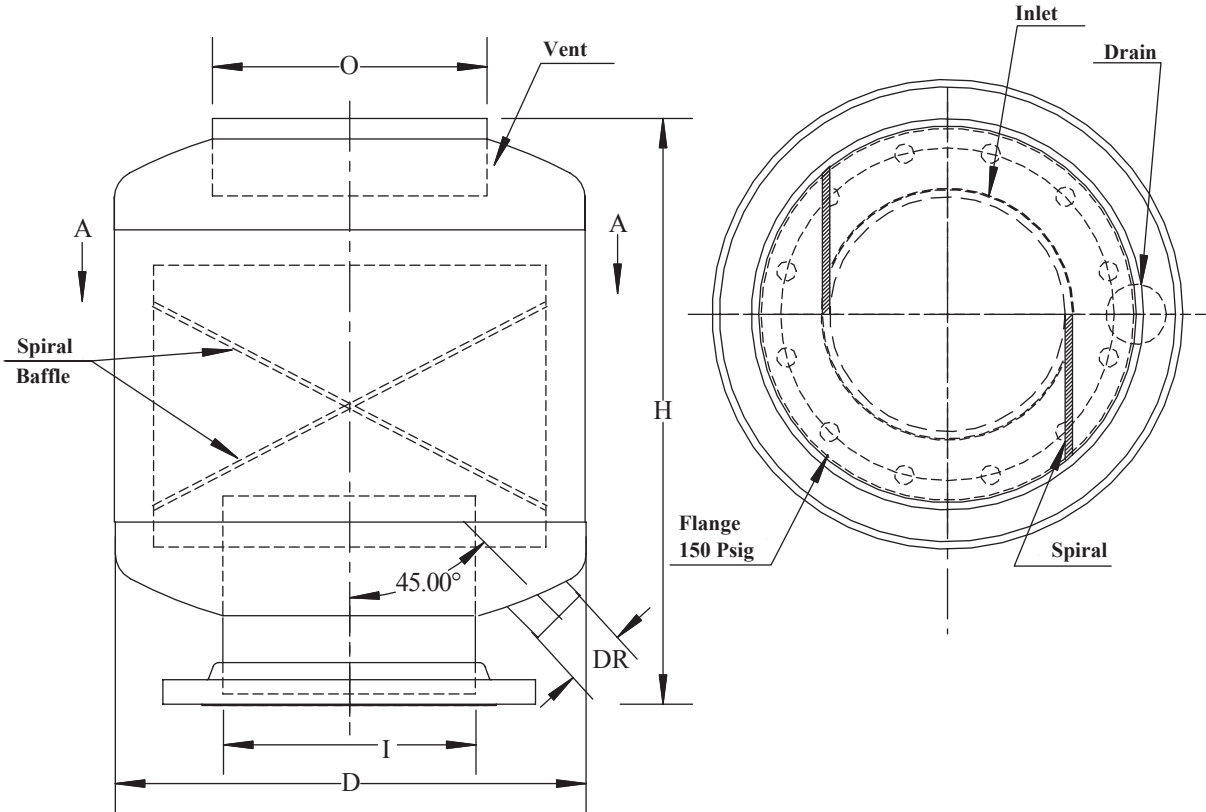
How it works

Water and Oil entrained in Exhaust Steam and Gases may cause damage to roofs and sidewalls and unsightly icing and dirt accumulation. The spiral baffles swirl the steam or exhaust gases and the resulting CYCLONIC ACTION throws the entrained water, oil and dirt to the outside of the cyclone where it is directed to the exhaust head drain.

Quality Construction

All surfaces of the Exhaust Head slant toward the drain so that THE UNIT IS SELF-DRAINING AND SELF-CLEANING REQUIRING LITTLE OR NO MAINTENANCE. The vessel walls are constructed of 3/16" or 5/16" carbon steel. With all external and internal surfaces painted with high-heat, rust-resistant paint, the Alstrom Cyclone Exhaust Head is constructed for many years of trouble free service. Its symmetrically streamlined design combines modern appearance with design efficiency.

**Exhaust Head
Series "Cyclone"**



Dimensions

| MODEL | " I " INLET | " O " OUTLET | " DR " DRAIN | " D " DIAMETER | " H " HEIGHT | (#/HR) STEAM | SCFM AIR | WEIGHT |
|-----------|-------------|--------------|--------------|----------------|--------------|--------------|----------|--------|
| EX 10-2 | 2 | 6 | 3/4 | 10 | 21 | 645 | 225 | 60# |
| EX 10-2.5 | 2 1/2 | 6 | 3/4 | 10 | 21 | 920 | 320 | 64# |
| EX 10-3 | 3 | 6 | 3/4 | 10 | 21 | 1420 | 495 | 66# |
| EX 10-4 | 4 | 6 | 1 | 10 | 21 | 2450 | 855 | 75# |
| EX 14-5 | 5 | 8 | 1 1/2 | 14 | 21 | 3845 | 1340 | 95# |
| EX 14-6 | 6 | 8 | 1 1/2 | 14 | 21 | 5540 | 1935 | 110# |
| EX 20-8 | 8 | 10 | 2 | 20 | 26 | 9610 | 3355 | 200# |
| EX 20-10 | 10 | 12 | 2 | 20 | 26 | 15,150 | 5290 | 225# |
| EX 24-12 | 12 | 14 | 3 | 24 | 30 | 21,325 | 7450 | 265# |
| EX 24-14 | 14 | 16 | 3 | 24 | 30 | 26,000 | 9080 | 305# |

To size the cyclone exhaust head use the discharge line size to select inlet dimension (I) above.
Check the maximum flow rate capacity to the actual flow rate. Select a larger size for high capacities as required.